



RJ45 Connector Guide



Safe connecting and disconnecting of power is critical in many industries. In order to maintain this safety requirement, EEC offers the EFP series of Ex de Connectors that are ATEX approved, easy to use and exceptionally robust. They allow for safe and rapid service, repair and replacement of key plant, or provide quick connection to equipment. Their application is beneficial in high-productivity environments where minimum interruption of service is essential.

The connectors are ideal for Zone 1, 21 and Zone 2, 22 explosive environments commonly found in oil and gas exploration,

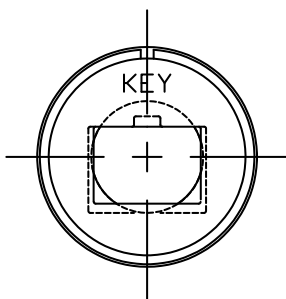
production and process plants. However, their features also offer benefits in Zone 21 and Zone 22 explosive dust environments, or in harsh and hostile non-explosive applications.

In compliance with the ATEX Directive (94/9/EC), the design retains many of the features of EEC's already high-quality connectors, but in addition adding innovations based on user feedback. The heavy-duty, maintenance free aluminum body construction is retained, along with the acclaimed Acme mating thread: enabling quick connection whilst preventing thread binding or galling.

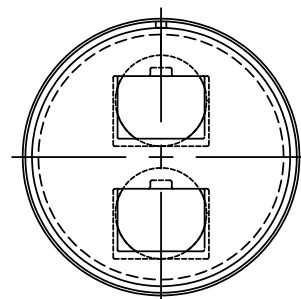
Product Specifications

- Cat.6/6A, 10 GBit Ethernet (IEEE 802.3an)
- AWG 27/7 - 22/7; AWG 24/1 - 22/1 can be connected
- 2x ground connection 2.8mm for equipotential bonding at cable end
- Increased vibration and shock resistance by four springs at the shield plates
- Solid zinc die-cast housing
- Eight pole RJ45 module; no special tools required

Single Module (Size 12)



Double Module (Size 16)



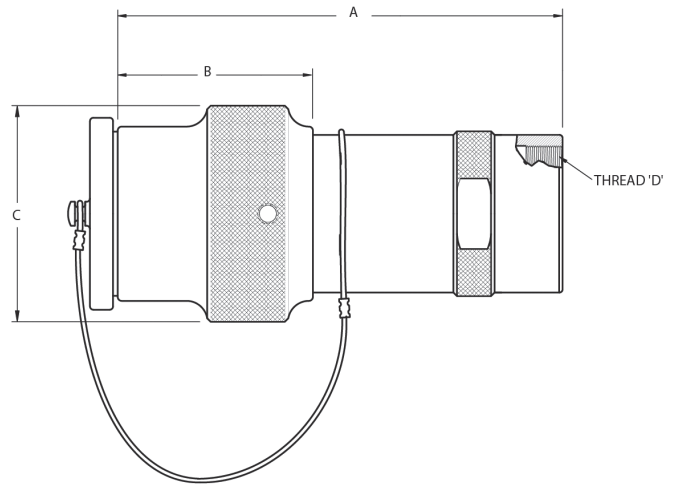


Electrical Equipment Corporation

RJ45 Connector Guide

EFP 13-3

Shell Size	Dimensions			
	A	B	C	Thread D
12	5-3/4 (146.1)	3-1/16 (77.8)	2-1/4 (57.1)	M25x1.5-6H
16	7-3/4 (196.9)	3-1/16 (77.8)	2-3/4 (69.9)	M40x1.5-6H



INLINE PLUG WITH EEx d THREAD

EFP 17-1

Shell Size	Dimensions						
	A	B	C	D	E	F	G
12	4-3/4 (120.7)	1-3/4 (44.5)	1-1/2 (38.1)	1.654 (42)	2-1/4 (57.2)	3-3/8 (86)	M40x1.5 -6G
16	4-3/4 (120.7)	1-3/4 (44.5)	2 (50.8)	2.047 (52)	2-5/8 (66.7)	3-7/8 (98)	M50x1.5 -6G

